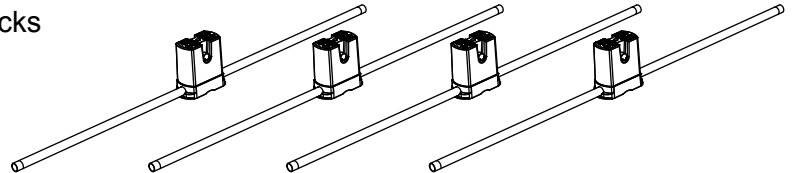


Caution:

1. Use only on a hard, flat surface.
2. Maximum load is 500 lbs for 10 levels, or 200 lbs for 15 levels.
3. Do not use in drying ovens.
4. Maximum storage temperature is 130°F.
5. Do not stand on rack or use as scaffolding under any circumstances.
6. Do not move rack while assembled.
7. Always use stabilizer bars on the first level and attach stabilizer struts to 7th level.

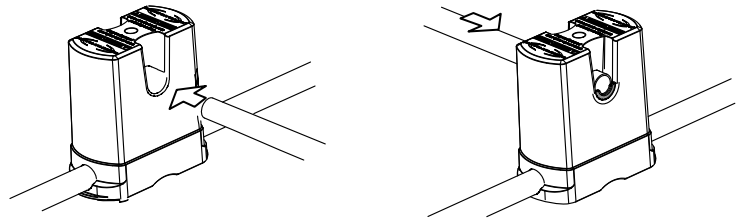
Instructions:

- 1** Locate and begin with the (4) support blocks with pre-assembled stabilizer bars.

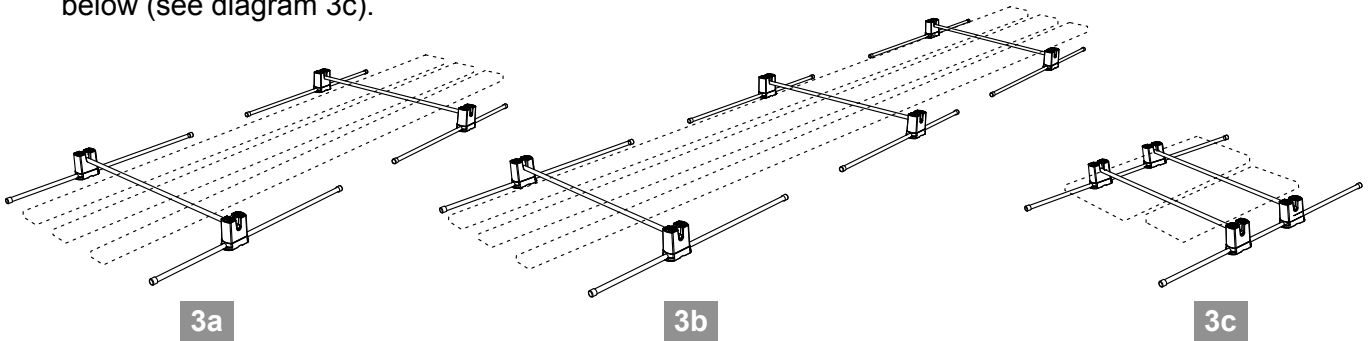


- 2** Insert cross bars into corner blocks making sure to push them into the support blocks until the cross bar contacts the end stop on the opposite side of the support block.

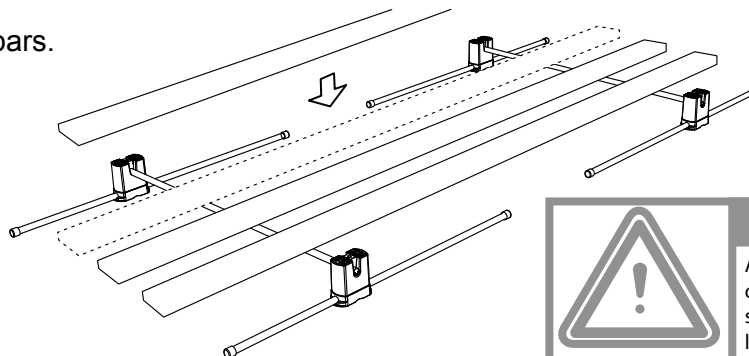
Note: The cross bars can only be inserted in one direction.



- 3** Set the first level on a flat surface. The length of stock to be dried will determine the spacing between sections. For long stock, use (3) or more sections (see diagram 3b). For short stock such as cabinet doors, assemble a second support block onto the stabilizer bars as shown below (see diagram 3c).



- 4** Lay stock across the cross bars.



**CAUTION**  
Maximum load is 500 lbs for 10 levels, or 200 lbs for 15 levels

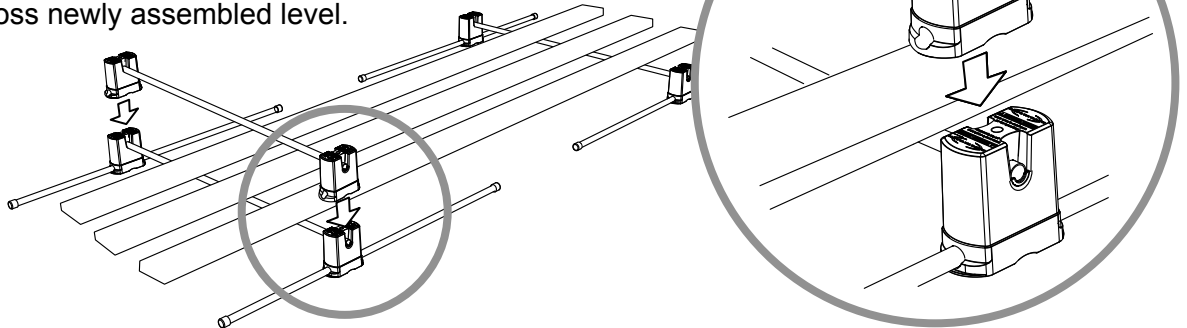


**WARNING**  
Always use stabilizer bars on the first level and stabilizer struts on 7th level to avoid tipping.

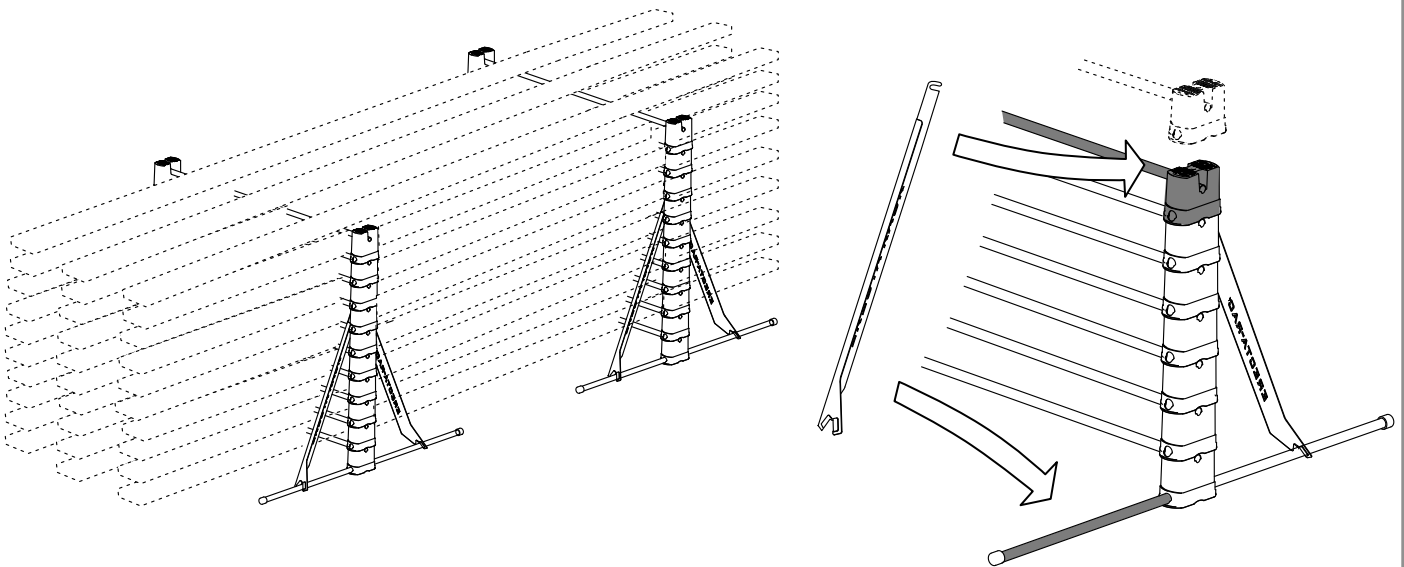
## Instructions:

**ERECTA-RACK**

- 5** When the first level is full, repeat step (2) using additional support blocks and cross bars. Set cross bar/support block assemblies onto the previous level and continue laying stock across newly assembled level.



- 6** Install the (4) stabilizer struts as shown by placing the “hook” end onto the **7th level** cross bar and rotating the other end down until the “V” end straddles the stabilizer bar. Assemble all (4) struts on one side of the rack noting RH and LH placement.



- 7** Continue assembling up to **10 levels** or a **maximum of 500 lbs.** However, for lightweight stock of 200 lbs or less, 15 levels can be assembled with caution.

- 8** When finished, disassemble and place components back into carry bag (if applicable).

For additional information or customer service, please visit our website at: [www.erecta-rack.com](http://www.erecta-rack.com)



### CAUTION

Maximum load is 500 lbs  
for 10 levels, or 200 lbs  
for 15 levels

**Innovative Solutions LLC**  
700 Wilburn Road  
Sun Prairie WI 53590  
(608)837-0670



### WARNING

Always use stabilizer bars  
on the first level and  
stabilizer struts on 7th  
level to avoid tipping.